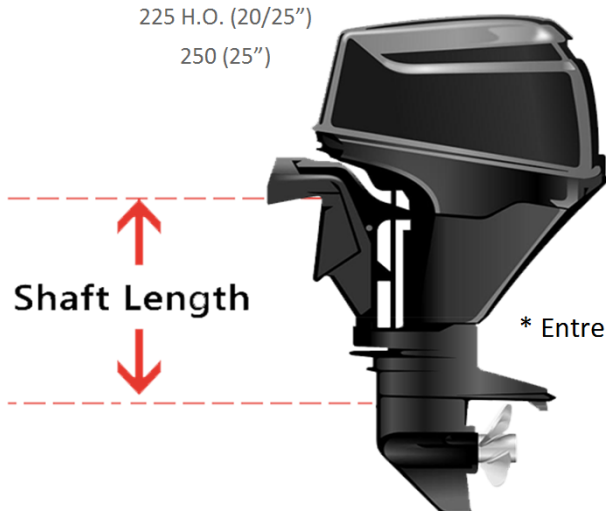


| | Evinrude 4T | Honda 4T | Mercury 4T | Yamaha 4T | Suzuki 4T |
|----------------|-------------------|-----------------------------|-------------------------|----------------------------|--------------------|
| MA075-1 | 3.5 (15") | BF2.3 (15") | 2.5,3.5 (15") | F2.5 (15 ") | DF2.5 (15") |
| MA075-2 | 4 (15/20") | BF2.3 (20") | 3.5 (20") | F4 (15/20 ") | DF4, DF5 (15") |
| | 6 (15/20") | BF5 (15/20") | 4,5,6 (15/20") | F6 (15/20 ") | DF6 (15/20") |
| MA075-3 | 8 (15/20") | BF8 (15/20") | 5 (25") | F8, F9.9 (15/20 ") | DF8 (15/20") |
| | 9.8 (15/20") | BF9.9 (15/20") | 8, 9.9 (15/20") | T9.9 HIGH THRUST (20 ") | DF9.9 (15/20") |
| | | | 9.9 Pro Kicker (20") | | DF15A (15/20") |
| | | | 9.9 Big Foot (20") | | DF20A(15/20") |
| MA075-4 | 9.8 (25") | BF9.9 (25") | 9.9 (25") | T9.9 HIGH THRUST (25 ") | DF25A (15/20") |
| | 15 (15/20") | BF15 (25") | 15,20 (15/20") | F15 (15/20 ") | DF30A (20") |
| | 25 (15/20") | BF20 (25") | 9.9 Pro Kicker (25") | F20 (15/20 ") | |
| | 30 (15/20") | | 9.9 Big Foot (25") | | |
| | | 15 Pro Kicker (20") | | | |
| MA075-5 | 40, 50, 60 (20") | BF25 (15/20") | 15 Pro Kicker (25") | F25 (15/20") | DF40A, DF50A (20") |
| | | BF30 (15/20") | 25,30 EFI (15/20") | T25 HIGH THRUST (20") | DF60A (20") |
| | | | 25 EFI JET (15/20") | | |
| MA075-6 | 75 (25") | BF40 (20") | 40 EFI (15/20") | F30,F40,F50 (20") | DF60A (25") |
| | 90 (20") | BF50 (20") | 60 EFI (20") | F60,F70,F75 (20") | DF60AV (20/25") |
| | | BF60 (20") | 40, 50, 60 EFI CT (20") | F80,F90 (20") | DF70A (20") |
| | | BF75 (20") | 40 EFI JET (15/20") | T50,T60 (20") | DF90A (20") |
| | | BF90 (20") | | HIGH THRUST (20") | |
| | | | F60 JET DRIVE (25") | | |
| | | | F100D (20") | | |
| MA075-7 | 75,90 (25") | BF50 (25") | 60 EFI CT (25") | F80 (25") | DF70A (25") |
| | 115, 130 (20/25") | BF60 (25") | 90, 115 EFI CT (20/25") | F90 (25") | DF90A (25") |
| | 150 (20/25") | BF90 (25") | 75 EFI (20") | F100D (25") | DF115A (20/25") |
| | 90 H.O. (20/25") | BF115 (20/25") | 90,100,115 (20/25") | F115 (20/25") | DF140A (20/25") |
| | 115 H.O. (20/25") | BF135 (20/25") | 150 EFI (20/25") | F150 (20/25") | DF100 (20/25") |
| | 135 H.O. (20/25") | BF150 (20/25") | 80 EFI JET (20") | F90 JET DRIVE (25") | DF150 (20/25") |
| | 150 H.O. (20/25") | | 75 OPTIMAX (20") | F115, F150 JET DRIVE (25") | DF175 (20/25") |
| | 175 (20/25") | | 90, 115 (20/25") | VF115 VMAX SHO (20") | |
| | | 125 OPTIMAX (20/25") | | | |
| | | 115 OPTIMAX PRO XS (20/25") | | | |
| MA075-8 | 200,225 (20/25") | BF250 (20/25") | 35,150 VERADO (20/25") | F175, F200 (20/25") | DF200, DF225 (25") |
| | 200 H.O. (20/25") | | 175,200 VERADO (20/25") | VF150, VF175 (20/25") | DF250 (25") |
| | 225 H.O. (20/25") | | | VMAX SHO (20/25") | DF200A (25") |
| | 250 (25") | | | | |



* Entre paréntesis, la longitud del eje (Shaft Length)